

### Resin Dipped Type

Series: EF Type : F

■ Features Lead wire terminal (Standard)

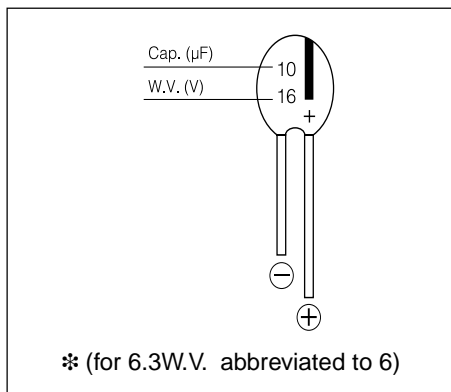
Japan



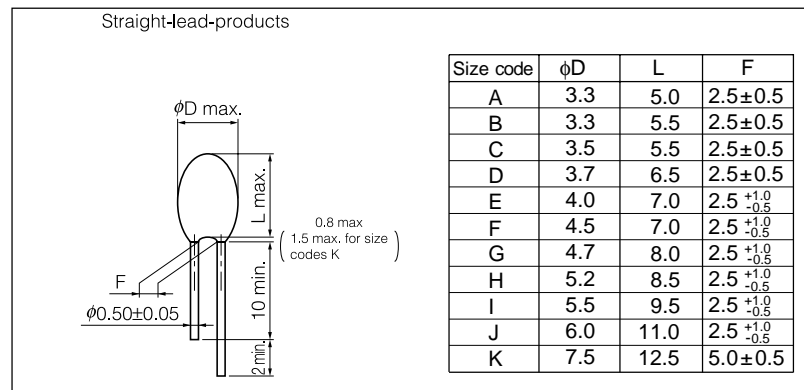
#### ■ Specifications

Category temp. range	-55 to + 85°C (W.V. ≥ 10V.DC : -55 to 105°C)	
Rated W.V. Range	4 to 50 V .DC	
Nominal Cap. Range	0.1 to 220 μF	
Capacitance Tolerance	±20 % (120Hz/+20°C)	
DC Leakage Current	I ≤ 0.008 CV or 0.05 (μA) after 2 minutes application of rated working voltage at +20 °C. (Whichever is the greater)	
Dissipation Factor	Please see the attached standard products list	
Moisture Resistance	After 500 hours exposure at +40 °C and 90 to 95 % R.H. without load, the capacitor shall meet the following limits.	
	Capacitance change	± 10 % of initial measured value
	D.F.	≤ 150 % of initial specified value
Endurance	After 2000 hours application of rated DC working voltage at +85°C or 1000 hours at +105°C with derated voltage for 10 to 50 W.V., the capacitor shall meet the following limits.	
	Capacitance change	±10% of initial measured value
	D.F.	≤ initial specified value
DC leakage current	0.012 CV or 0.75 (μA) max. whichever is the greater.	
	0.01 CV or 0.625 (μA) max. whichever is the greater	

#### ■ Marking



#### ■ Dimensions in mm (not to scale)



#### ■ Case size

	4(0G)	6.3(0J)	10(1A)	16(1C)	25(1E)	35(1V)	50(1H)
0.10 (104)							● A
0.22 (224)							● B
0.47 (474)						● B	D
1.0 (105)						C	E
1.5 (155)						C	F
2.2 (225)					C	D	G
3.3 (335)				C	D	E	H
4.7 (475)			C	D	E	F	I
6.8 (685)		C	D	E	F	H	
10 (106)	C	D	E	F	H	I	
15 (156)	D	E	F	G	I	J	
22 (226)	E	F	G	H	J	K	
33 (336)	F	G	H	I	K		
47 (476)	G	H	I	J			
68 (686)	H	I	J	K			
100 (107)	I	J	K				
150 (157)	J	K					
220 (227)	K						

Note: 1. ( ) shows W.V. and capacitance code.  
 2. Products designated by (●) have the voltage code on the body.  
 3. When selecting W.V., see the page 210.