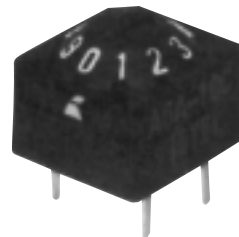


Subminiature Dip Switch for High-Density Packaging

- Subminiature size (10 x 10 x 7.5 mm), ideal for high-density packaging
- Completely sealed construction prevents flux entry during automatic flow soldering
- BCD and hexadecimal types available (each complement type also available)
- Position switching operation possible with a turn of a screwdriver from either top and side; the screwdriver slot on the top can rotate in either direction for desired setting
- Thumbwheel and extended shaft type also available



Ordering Information

Output code type	No. of switching positions	Part Numbers			
		Standard Type	Flat Type	Extended Shaft Type	Thumbwheel Type
BCD 1-2-4-8	10	A6A-10R	A6A-10RF	A6A-10RS	A6A-10RW
BCD 1-2-4-8 complement only	10	A6A-10C	A6A-10CF	A6A-10CS	A6A-10CW
Hexadecimal 1-2-4-8	16	A6A-16R	A6A-16RF	A6A-16RS	A6A-16RW
Hexadecimal 1-2-4-8 complement only	16	A6A-16C	A6A-16CF	A6A-16CS	A6A-16CW

Characteristics

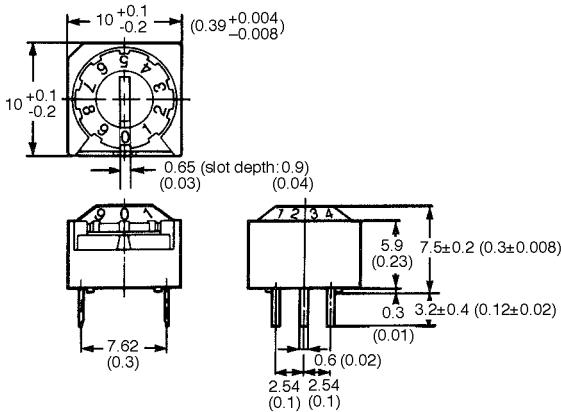
Switching capacity		1 to 100 mA, 5 to 28 VDC
Carry current		100 mA, 50 VDC (max.)
Contact resistance		200 MΩ max.
Insulation resistance		10 MΩ min. (at 250 VDC)
Dielectric strength		500 VAC for 1 minute between current-carrying metal part and ground 250 VAC for 1 minute between terminals of same polarity
Operating force		120 to 250 g-cm
Vibration	Malfunction durability	10 to 55 Hz, 1.5 mm double amplitude
Shock	Malfunction durability	Approx. 300 m/s ² (30 G)
Materials	Base/Cover	PBT (Polybutylene terephthalate)
	Dial/Rotor	Polyacetal
	O-ring	Acryl nitril butadiene rubber
	Movable contact	Phosphor bronze plated with Ag/Au clad
	Terminal	Beryllium copper
Ambient temperature		-10° to 70°C
Humidity		45% to 85% RH
Service life	Mechanical	10,000 detent operations min.
	Electrical	2,000 detent operations min.
Weight		A6A-10R(S) Approx. 0.8 g, A6A-10W Approx. 1.1 g

Note: Data shown are of initial value.

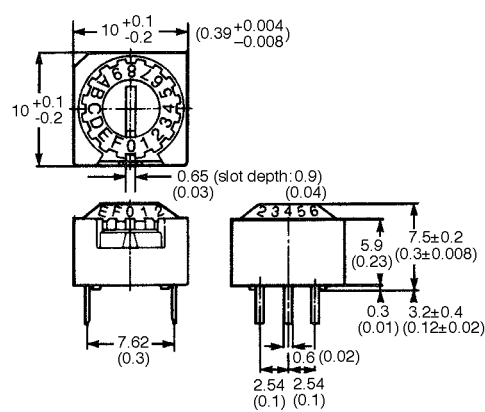
Dimensions

Unit: mm (inch)

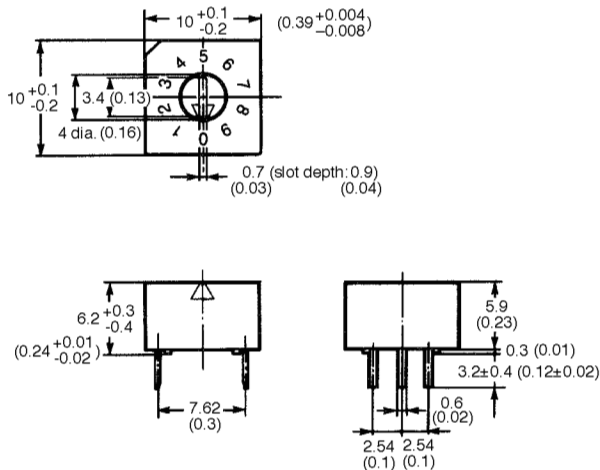
A6A-10R, A6A-10C



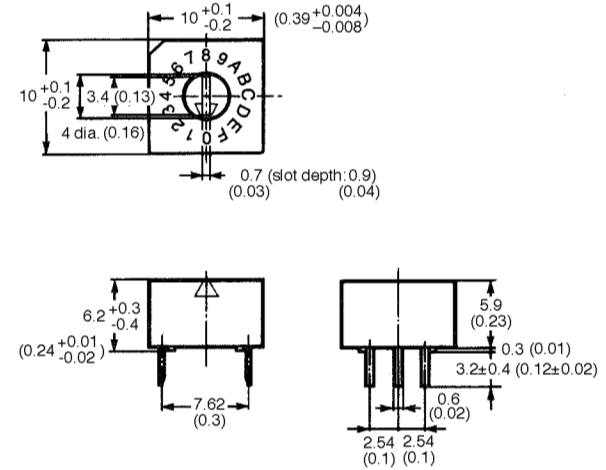
A6A-16R, A6A-16C



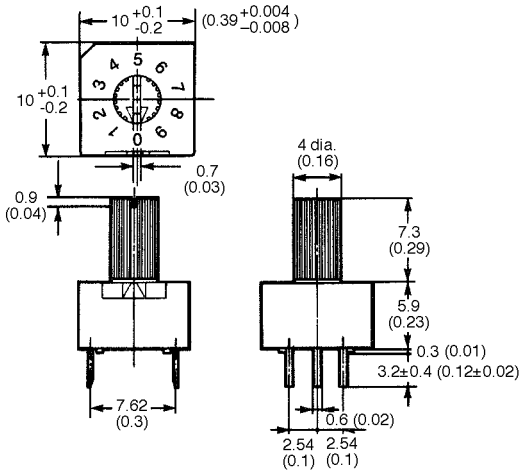
A6A-10RF, A6A-10CF



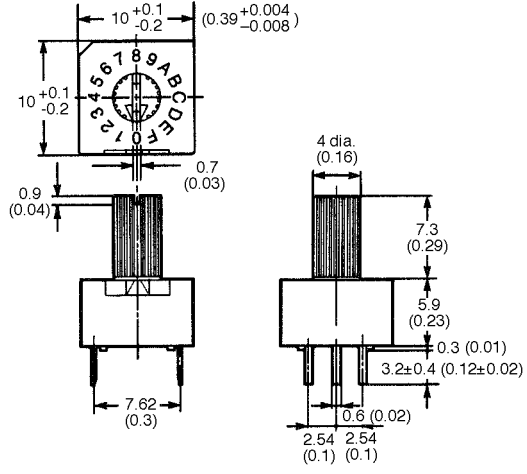
A6A-16RF, A6A-16CF



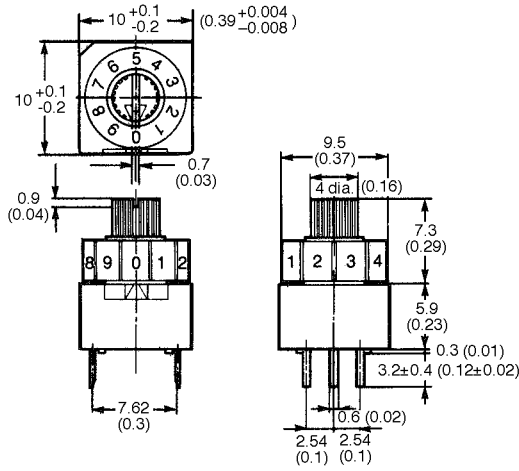
A6A-10RS, A6A-10CS



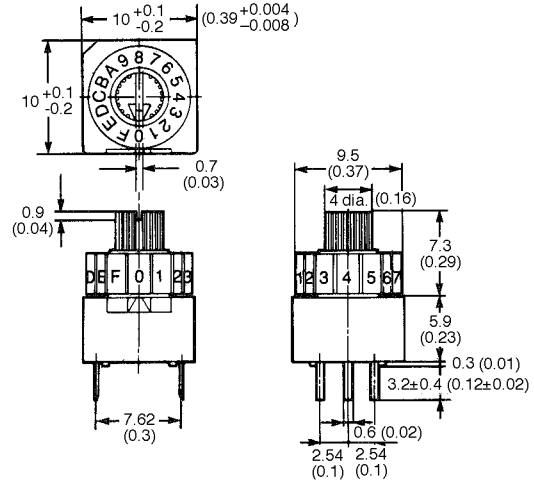
A6A-16RS, A6A-16CS



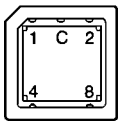
A6A-10RW, A6A-10CW



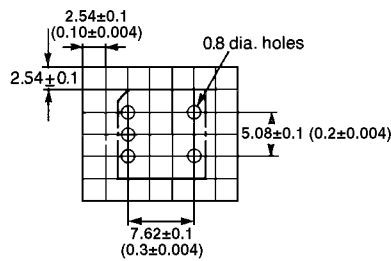
A6A-16RW, A6A-16CW



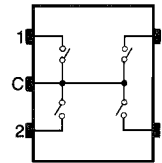
Terminal arrangement (bottom view)



Mounting holes (top view)



Internal connections (top view)



OMRON

OMRON ELECTRONICS, INC.

One East Commerce Drive
Schaumburg, IL 60173
1-800-55-OMRON

OMRON CANADA, INC.

885 Milner Avenue
Scarborough, Ontario M1B 5V8
416-286-6465